



IMO Double Pump Unit

For ACD and ACE pumps



The Double pump unit is designed for reliable and safe operation for IMO ACE and ACD pumps.

- The unit is space saving
- Provides easy installation
- Easy pipe connection few welding operations
- Only one foundation for pumps and strainers
- No valves to be installed in the external piping
- Rigid design to withstand tough operating condition
- Provides easy maintenance and supervision
- Completely equipped with Inlet and Outlet Shut off valves, Outlet Non return valve, Inlet and Outlet pressure indicators and inlet strainers
- Optional flexibility is provided by, individual or common Inlet and Outlet pipe connection

Handling of fuel oils, lubricating oils and hydraulic oils.

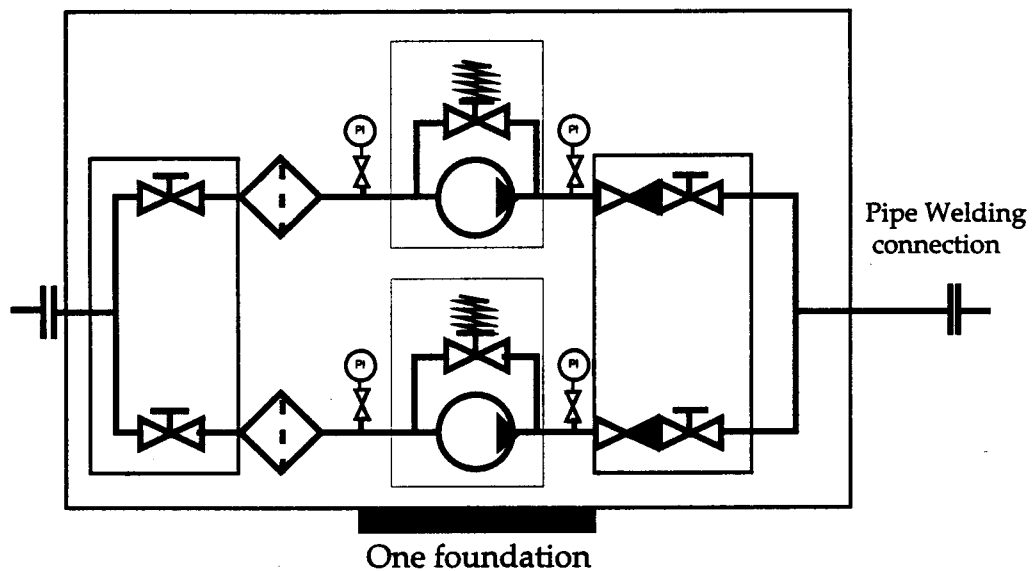
- Max. Working pressure 16 bar
- Capacity range 0.9 - 7.8 m³/ h
- Valve block in nodular cast Iron

Piping arrangement for stand-by pumps, comparison IMO Double pump unit T4 and loose supplied pumps with strainers and valves.

The system diagrams shows the complex unit with all necessary equipment required for the pumps, such as strainers valves relief valves gauges etc.

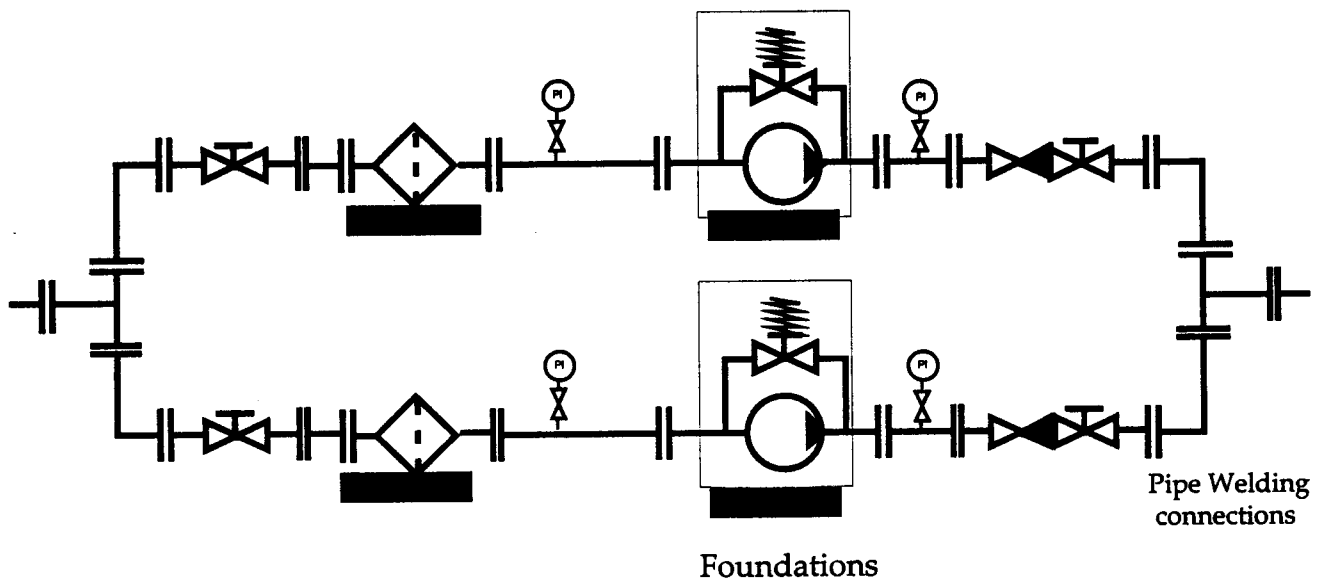
The T4 unit requires only the arrangement of one (1) foundation and two pipe welds.

IMO Double pump unit T4

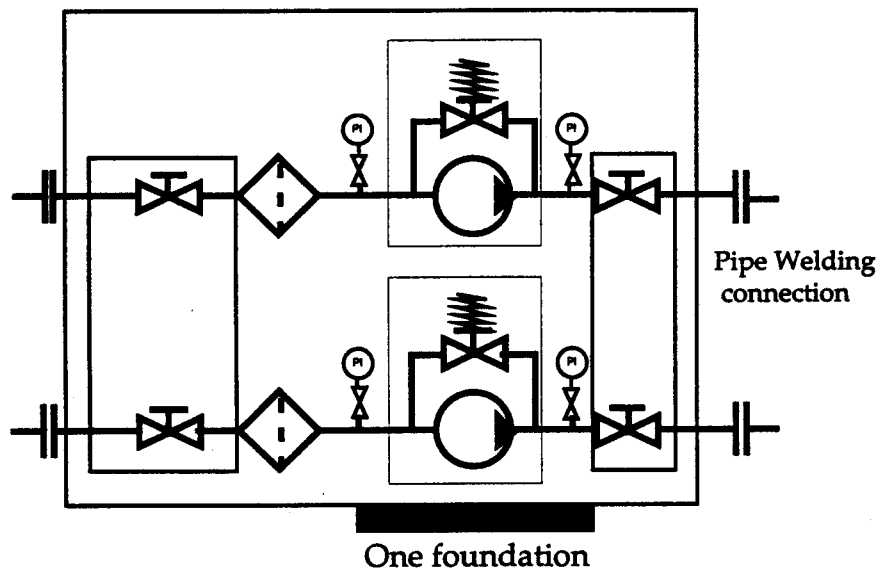


The loose supplied pumps valves strainers and gauges requires many more pipe welds, foundations and pipe supports.
 In addition to the time consuming installation the design work for these equipment's will be much more complex and time wasting.

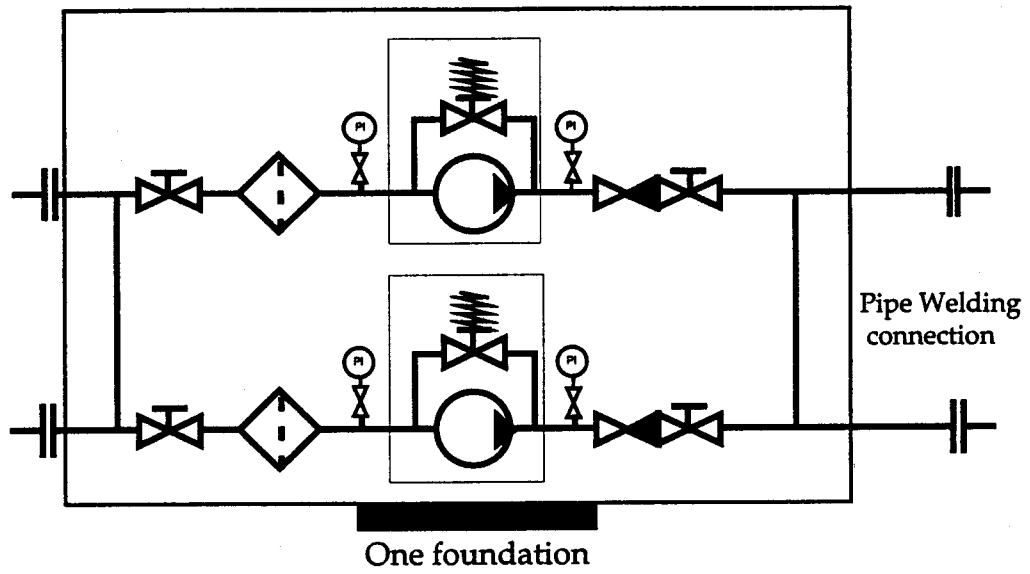
Loose supply of Pump and accessory



IMO Double assembly with individual operating pumps



IMO Double assembly with crossover and double pipe connection



Typical Fuel supply system

