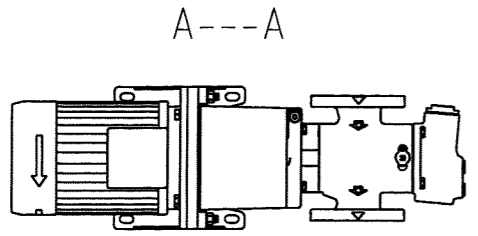


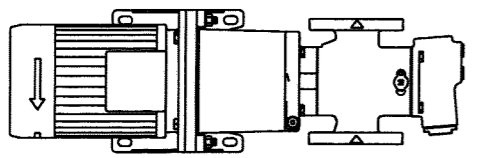
Drawing Type - No. **MS-24881** Rev.

MS-24881

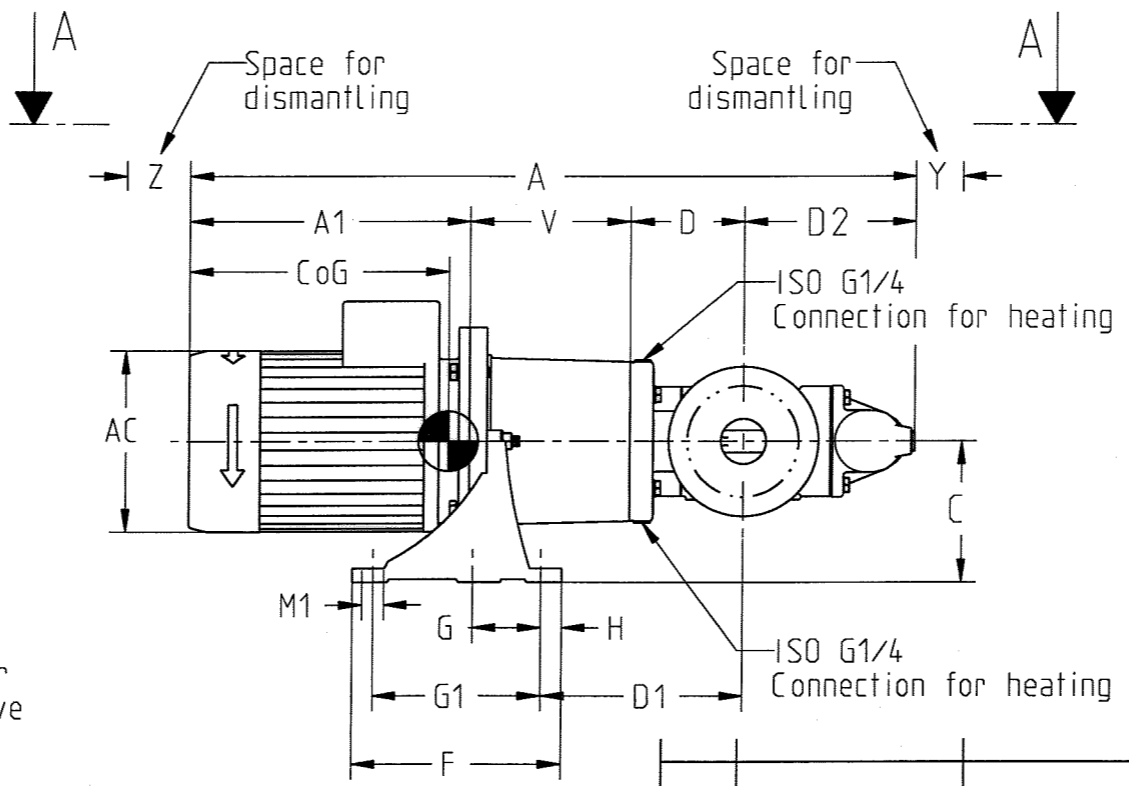
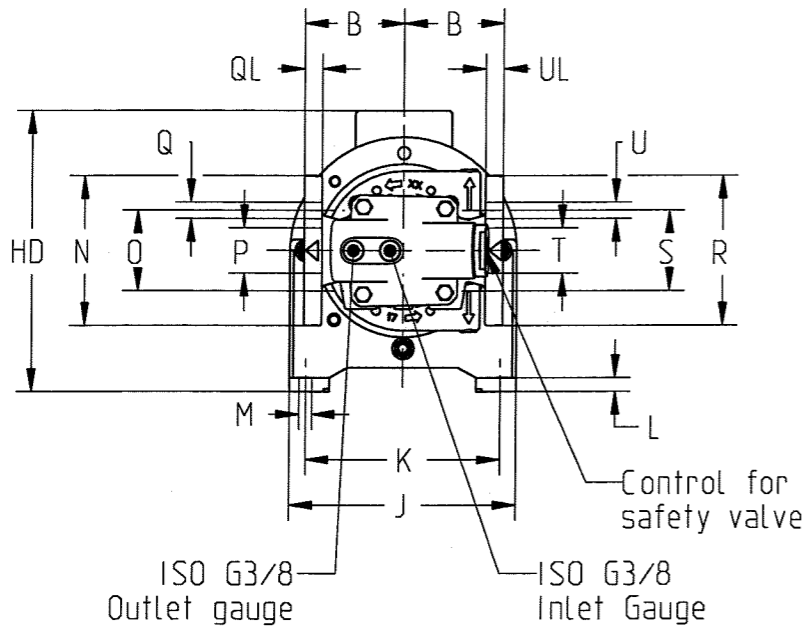
Pump size	IEC No	Frame size	A	A1	AC	B	C	D	D1	D2	F	G	G1	H	HD	J	K	L	M1	M	N	O	P	Q	QL	R	S	T	U	UL	V	Y	Z	*) Weight approx. kg	CoG													
045	100	F215	796	308	199	110	155	125	221	188	230	75	185	22	309	250	215	15	24	14	165	125	50	4x Ø18	20	165	125	50	4x Ø18	20	175	132	184	63	397													
	112		810	322	215										322																			68	392													
	132	F265	880	371	255										226																			270	95	225	23	373	300	265	18	24	14	196	205	84	401	
	160		F300	1036	495										314																			238	305	115	265	20	475	350	300	18	30	18	228	237	127	441
052	100	F215		805	308	199	122.5	155	126	222	196	230	75	185	22	309	250	215	15	24	14	185	145	65	4x Ø18	20	185	145	65	4x Ø18	20	175	132	184	70	421												
	112		819	322	215	322										75																			415													
	132	F265	889	371	255	227										270																			95	225	23	373	300	265	18	24	14	196	205	91	425	
	160		F300	1045	495	314										239																			305	115	265	20	475	350	300	18	30	18	228	237	135	466
060	132	F265		947	371	255	140	185	168	269	211.5	270	95	225	23	373	300	265	18	24	14	200	160	80	8x Ø18	20	200	160	80	8x Ø18	20	196	124	204	108	471												
	160	F300	1103	495	314	235																													305	115	265	20	475	350	300	18	30	18	228	236	148	507
	180		1165	557	358	281																													495	495	182	509										
070	132	F265	986	371	255	150	235	181	296	224	270	95	225	23	373	300	265	18	24	14	220	180	100	8x Ø18	22	220	180	100	8x Ø18	22	210	146	220	128	505													
	160	F300	1156	495	314																													322	305	115	265	20	475	350	300	18	30	18	256	266	168	554
	180		1218	557	358																													312	495	495	202	554										
	200	F350	1338	677	381																													260	350	-	300	25	561	400	350	20	30	18	256	266	202	554
	225	F400	1465	775	448																													295	385	-	335	25	640	450	400	20	30	18	285	295	461	593



Mounting: M93-0 Standard



Mounting: M39-0



Dimensions A, A1, AC, Weight and CoG are valid for Brook-Crompton motors.

Dimensions Z, Weight and CoG are valid for respective pump size with its largest magnetic coupling.

Dimensions in mm.

*) Weight incl. motor.

Counter flanges acc. to DIN2633/ND16.

Subject to change without notice. Not binding unless certified.

Only to the extent expressly agreed by us this document may constitute a contractual obligation on our part.

This document and its contents are our exclusive property and must not be copied, reproduced, transmitted or communicated to any other party or used for purposes not expressly permitted by us.

Applicable to the following version codes.	
Housing mtrl.	N
Magnetic shaft coupling	H* J* K L M
Mounting	B
Valve arr.	P

* Only valid for pump sizes 045 and 052.

Article No.	Name/Designation	Material Blank	Pattern No./Note
	IMO AB Stockholm Sweden		
Title		IMO-Pump unit ACG Optiline 045-070K8,N8,D8	
Symbols	Drawn (Date/Sign)	Scale	First angle Projection
- for tolerances SS-ISO 286-1	2006-11-02/JH JH	-----	
- for form and positions SS-ISO 1101	Checked and approved (D/S)	Complementary Drawing No.	
- for surface roughness ISO 1302	2006-11-02/JS JS		
Tolerances if not otherwise stated	Production checked (D/S)	Drawing Type-No.	Rev.
- machined surfaces ISO 2768-mK-E	Rel. for manufacturing (D/S)	MS-24881	
- castings ISO 8062 CT10			
Burrs removed, edges 0,4x45° or R 0,5			

Rev.	Revision	Revised (Date/Sign)	Appr.

Replaces drawing No.