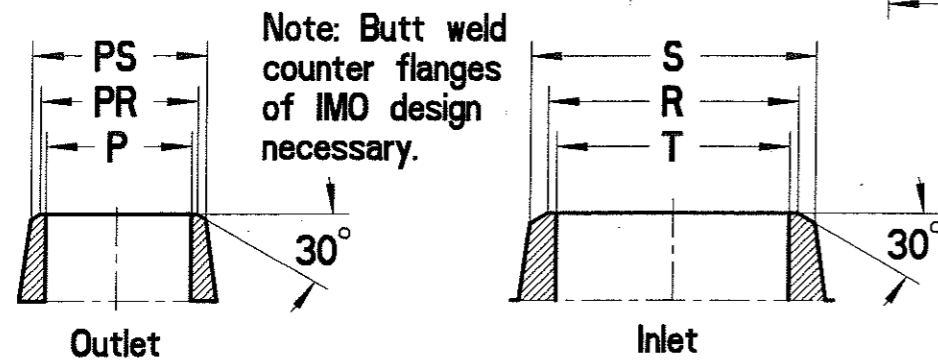
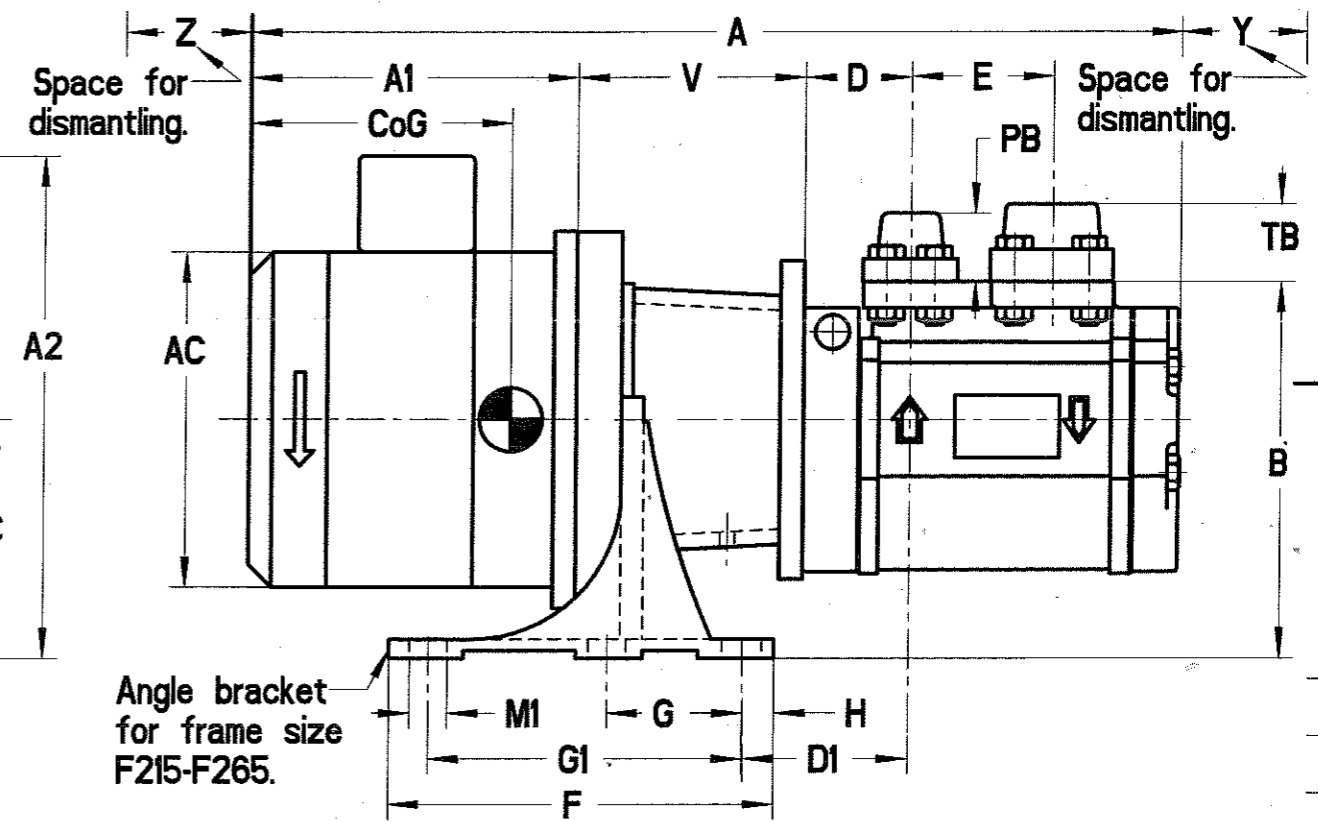
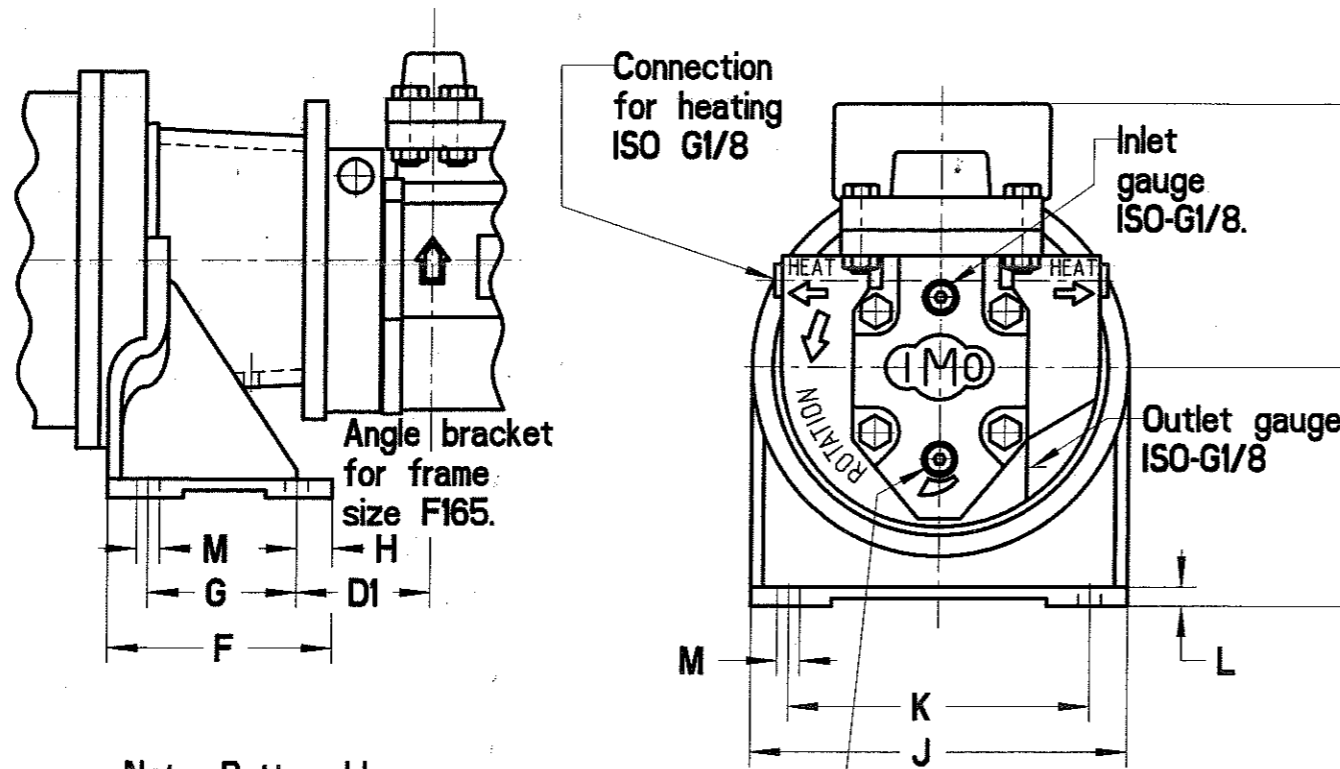


Drawing Type - No.	Rev.	Pump size	IEC No	Frame size	Main dim.										Foot dim.										Outlet				Inlet				Dism.		Weight	
					A	A1	A2	AC	B	C	D	D1	E	V	F	G	G1	H	J	K	L	MxMI	P	PB	PR	PS	T	TB	R	S	Y	Z	CoG	kg		
MS-25125	025	80	F165	541	238	239	160	185	112	46	106	60	140	90	60	15	210	180	12	∅11	25	37	27	30	25	37	27	30	80	133	293	27				
		90		575	272	247	178																							293	33					
		100	646	308	309	199	228	155	142		175	230	75	185	22	250	215	15	14x24	170										292	41					
		112	659	321	322	215	228	155	142		175	230	75	185	22	250	215	15	14x24	170										288	46					
	032	80	F165	577	238	239	160	185	112	54	114	75	140	90	60	15	210	180	12	∅11	25	37	27	30	40	42	42	49	80	133	310	29				
		90		611	272	247	178																							309	35					
		100	682	308	309	199	228	155	150		175	230	75	185	22	250	215	15	14x24	103										308	43					
		112	695	321	322	215	228	155	150		175	230	75	185	22	250	215	15	14x24	103										304	48					
	038	132	F265	766	371	373	255	258	185	56	155	85	196	270	95	225	23	300	265	18	40	42	42	49	113	306	72									
		80	F165	583	238	239	160	195	112	56	116	85	140	90	60	15	210	180	12	∅11	40	42	42	49	40	42	42	49	80	133	325	32				
		90		617	272	247	178																							325	38					
		100	688	308	309	199	238	155	152		175	230	75	185	22	250	215	15	14x24	103										323	46					
112	701	321	322	215	238	155	152	175	230		75	185	22	250	215	15	14x24	103	319	51																
132	F265	772	371	373	255	268	185	57	157	85	196	270	95	225	23	300	265	18	113	321	75															

Dimensions A, A1, AC, A2 and weight are approximate values for Brook Crompton motors type WU-DA.

Dimensions in mm. Subject to change without notice. Not binding unless certified.

Only to the extent expressly agreed by us this document may constitute a contractual obligation on our part.



Relief valve. Turn clockwise to increase opening pressure.

Applicable to the following version codes.	
Housing mtrl.	N
Shaft seal	K, L, M, N
Mounting	B
Valve arr.	P

Article No.	Name/Designation	Material Blank	Pattern No./Note
IMO AB Stockholm Sweden	Title IMO-Pump unit Pump: ACE 025-038D4, K4, L4, N4 with butt weld counter flange Motor: Brook Crompton		
Symbols - for tolerances SS-ISO 286-1 - for form and positions SS-ISO 1101 - for surface roughness ISO 1302	Drawn (Date/Sign) 071016/SM SM Checked and approved (D/S) 080625/JS JS Production checked (D/S)	Scale	First angle Projection
Tolerances if not otherwise stated - machined surfaces ISO 2768-mK-E - castings ISO 8062 CT10 Burrs removed, edges 0,4x45° or R 0,5	Rel. for manufacturing (D/S) 080625/AB AB	Complementary Drawing No.	
Replaces drawing No.		Drawing Type-No. MS-25125	

This document and its contents are our exclusive property and must not be copied, reproduced, transmitted or communicated to any other party or used for purposes not expressly permitted by us.

Rev.	Revision	Revised (Date/Sign)	Appr.